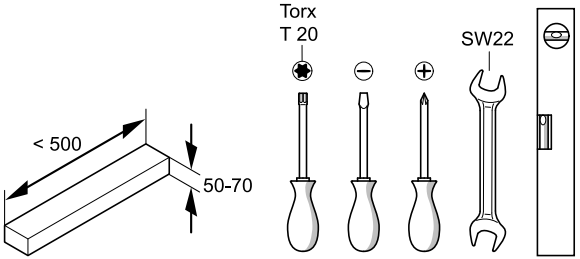
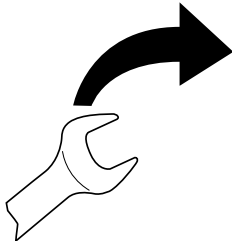
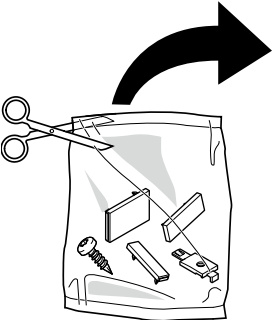
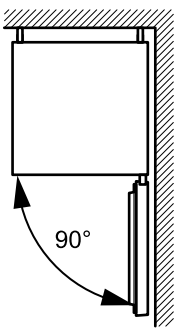
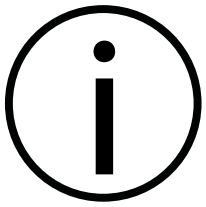


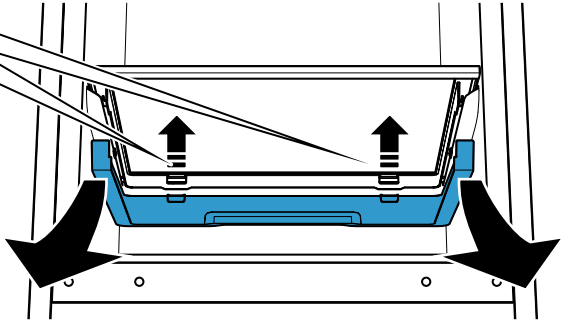
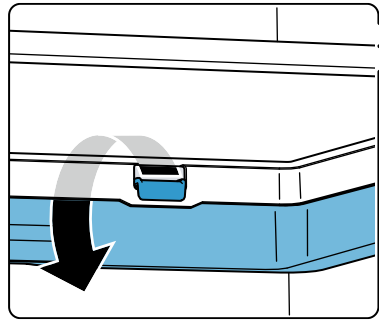
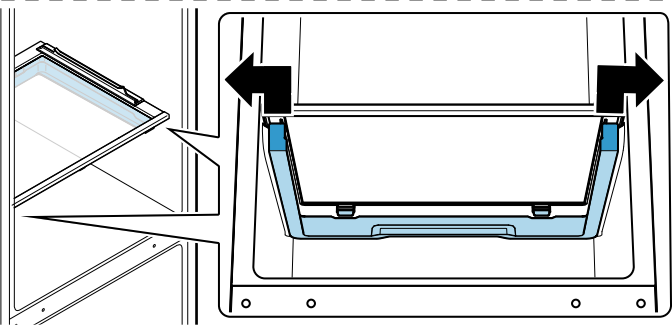
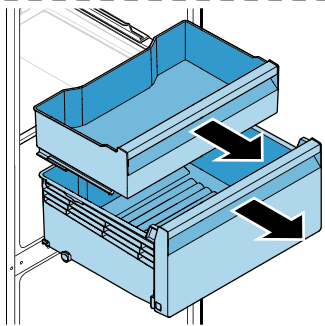
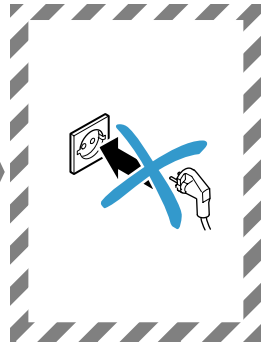
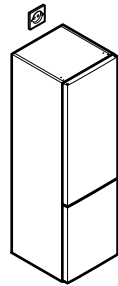
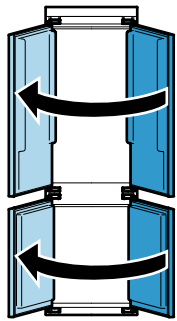
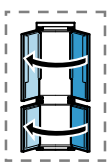
9001621986 (010209)

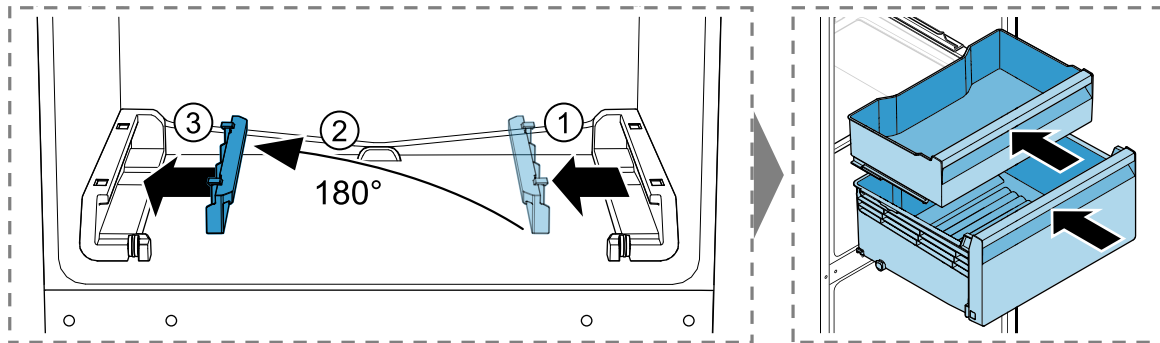
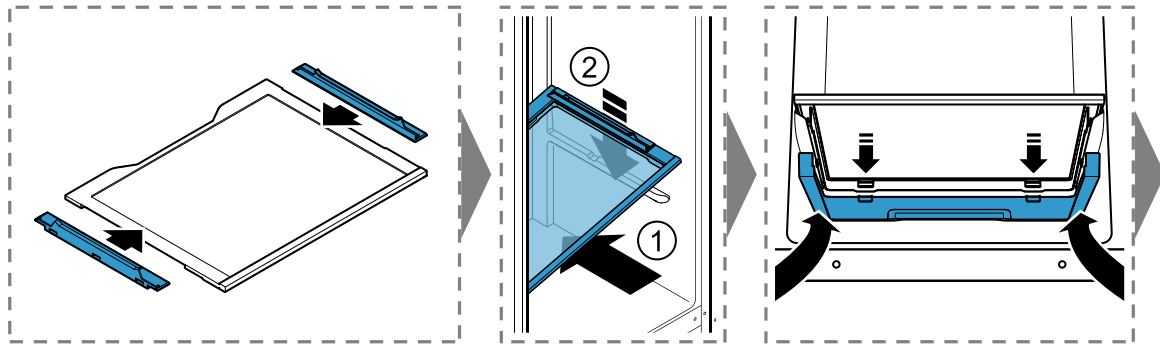
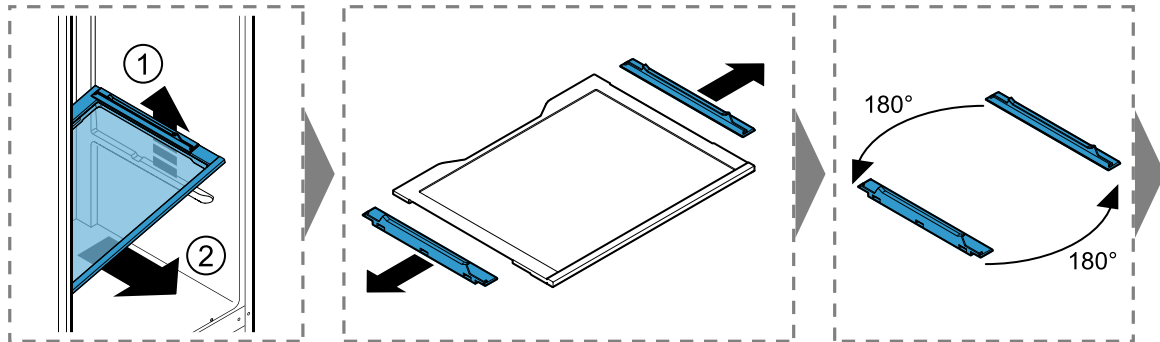
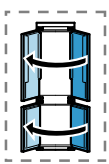


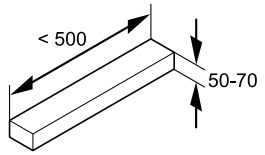
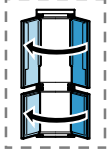
- | | | | |
|-----------|----------------------------|-----------|---------------------------|
| de | Montageanleitung | fi | Asennusohjeet |
| en | Installation instructions | et | Paigaldusjuhised |
| fr | Notice d'installation | lt | Įrengimo instrukcijos |
| it | Istruzioni d'installazione | lv | Uzstādīšanas instrukcijas |
| nl | Installatie-instructies | pl | Instrukcje montażu |
| es | Instrucciones de montaje | hu | Telepítési útmutató |
| pt | Instruções de instalação | cs | Pokyny k instalaci |
| el | Οδηγίες εγκατάστασης | sl | Navodila za montažo |
| da | Installationsvejledning | uk | Інструкція з монтажу |
| no | Installasjonsveiledning | kk | Орнату нұсқаулықтар |
| sv | Installationsanvisningar | ru | Инструкция по установке |



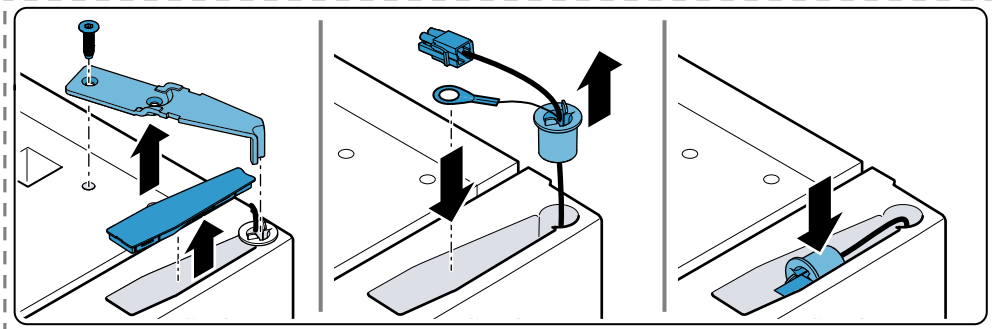
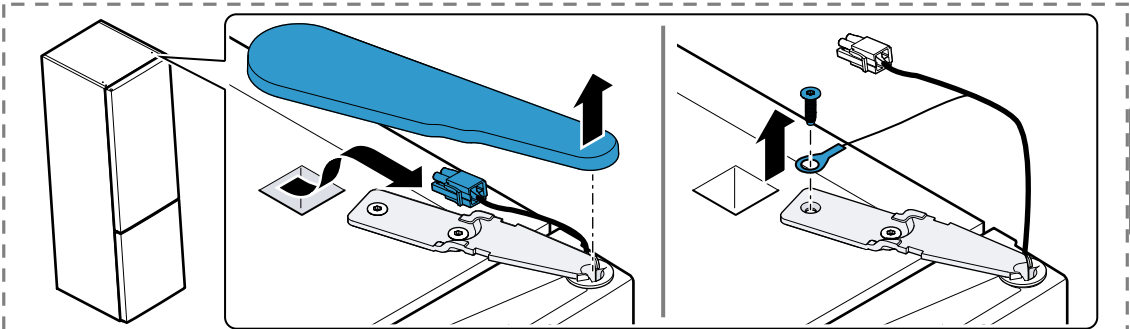
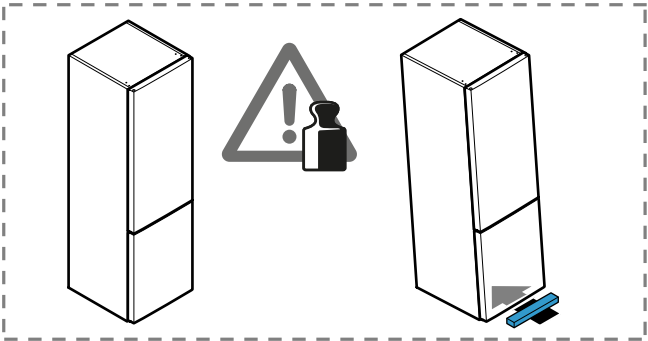
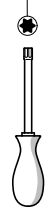


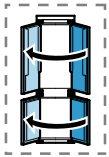




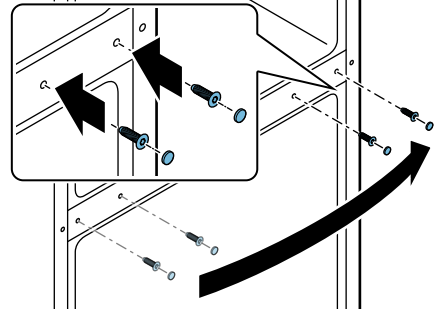
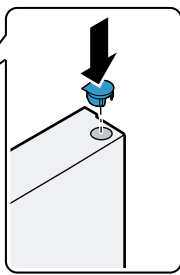
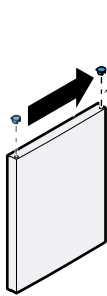
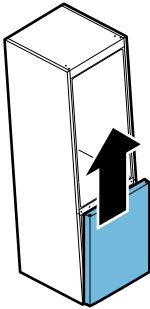
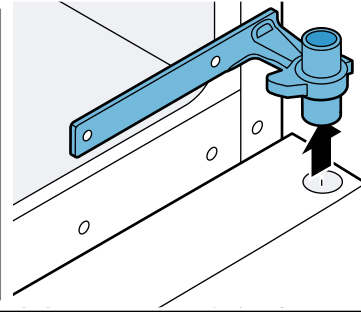
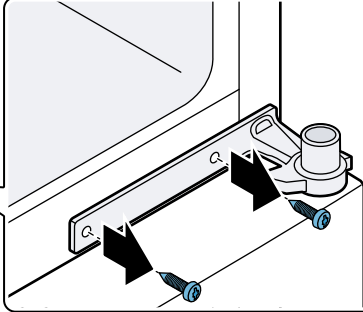
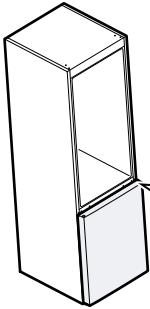
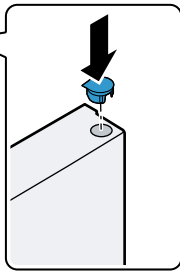
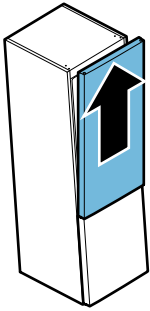


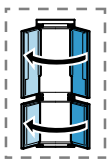
Torx
T 20





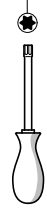
Torx
T 20



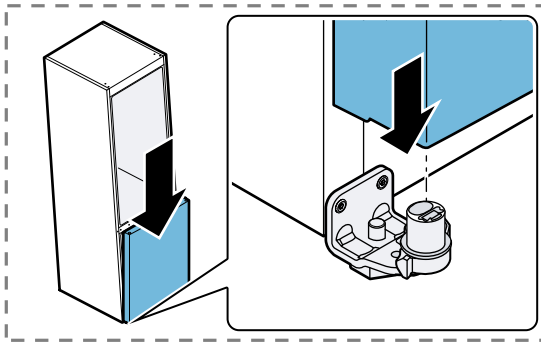
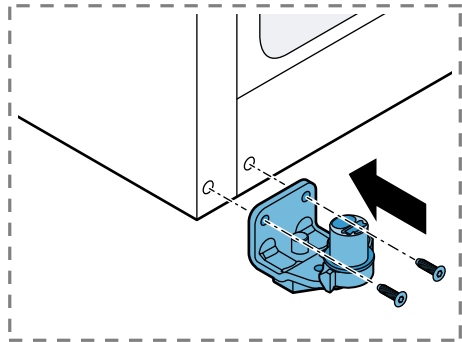
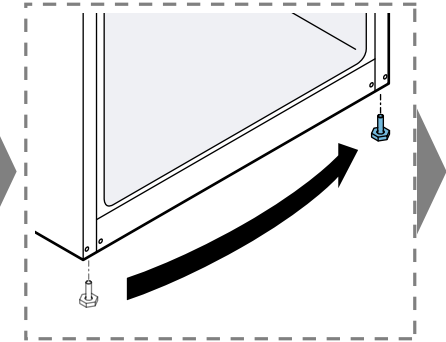
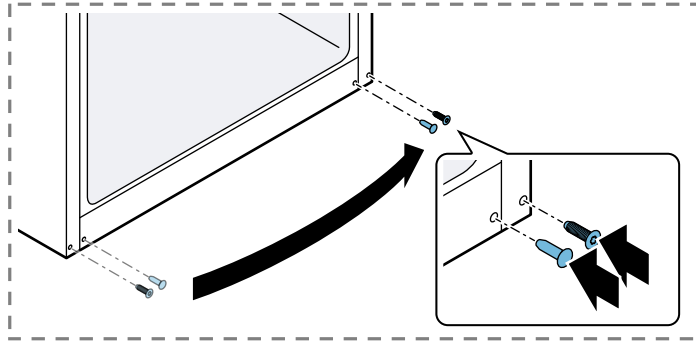
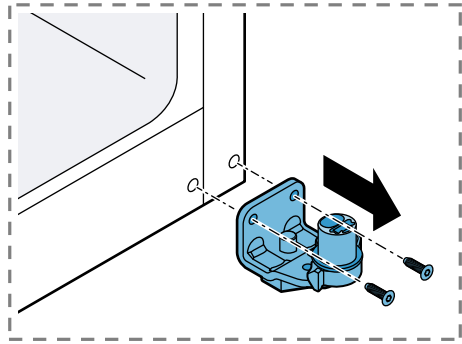
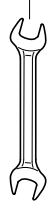


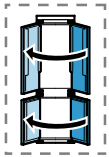
Torx

T 20

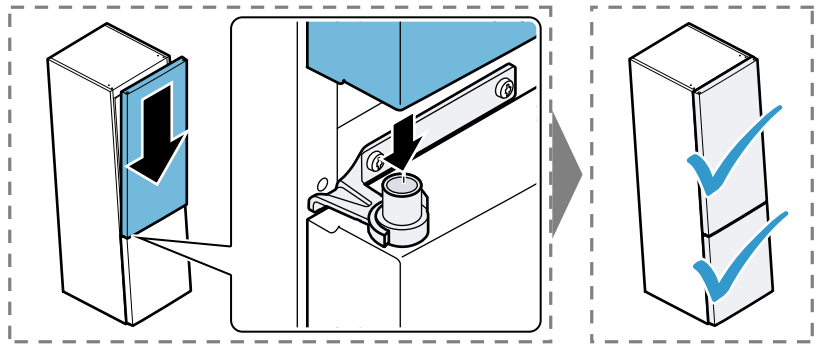
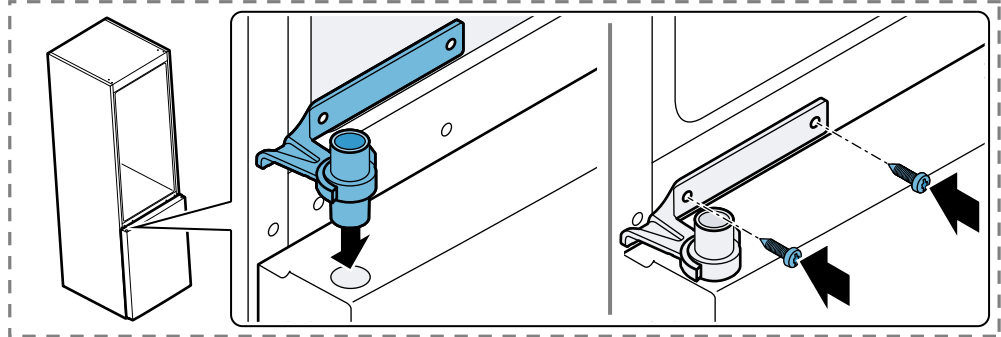


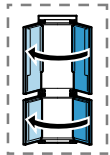
SW22



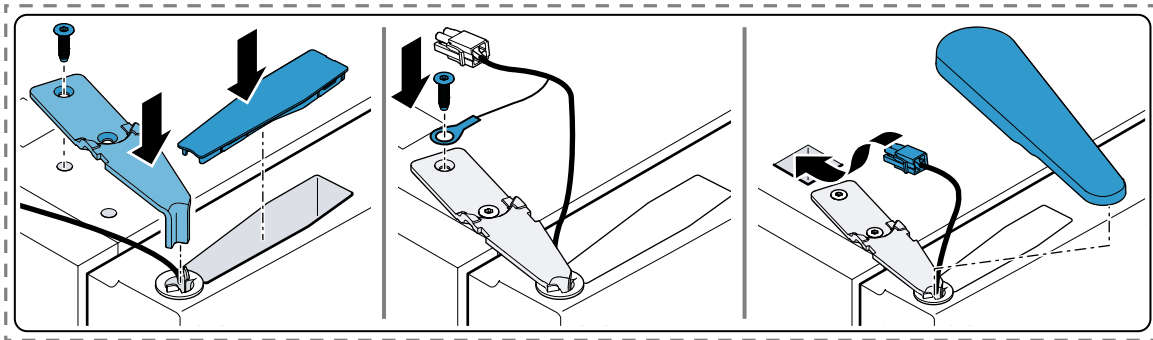
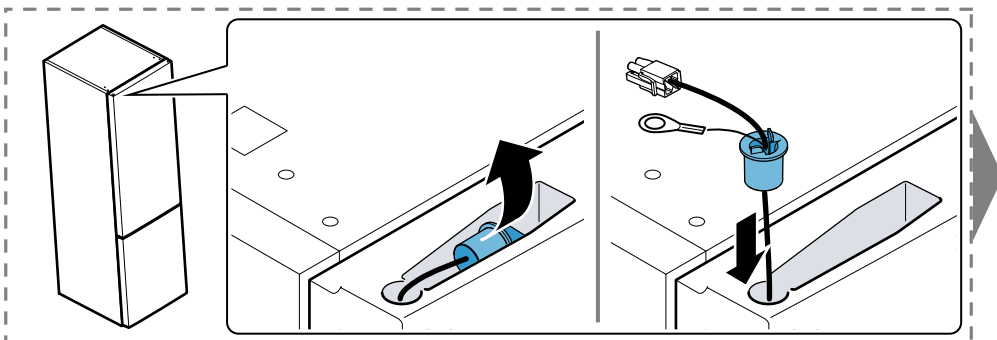
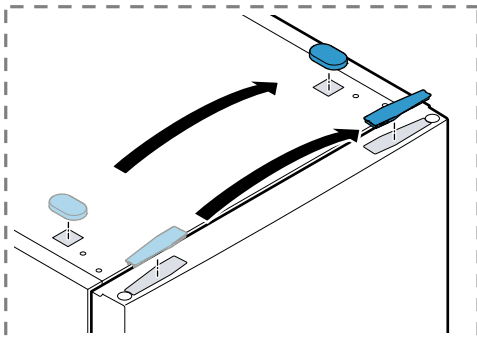


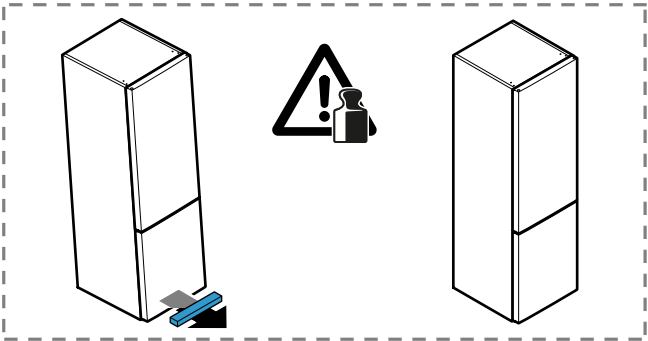
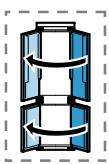
Torx
T 20

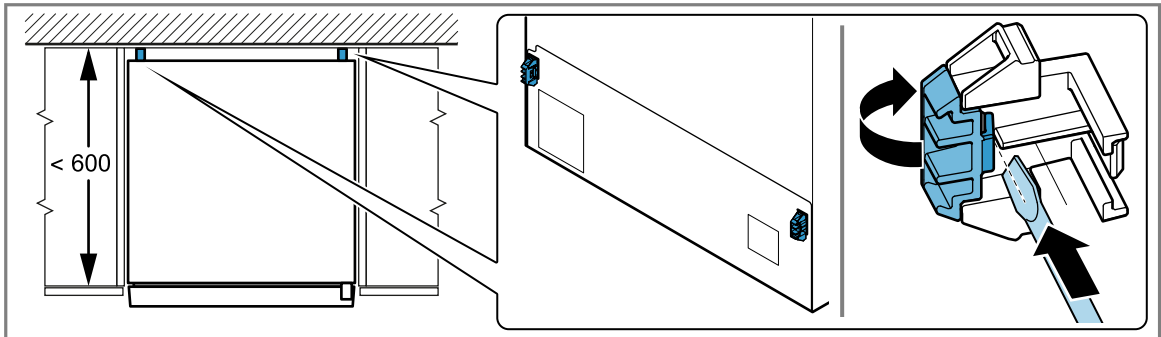
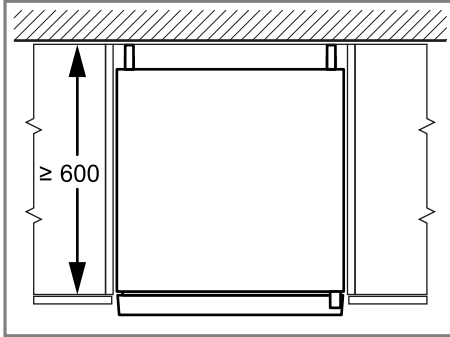
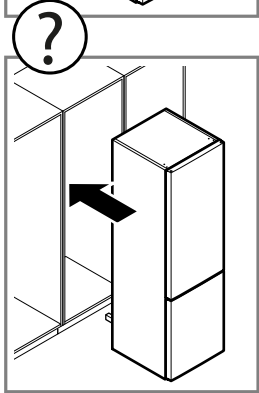
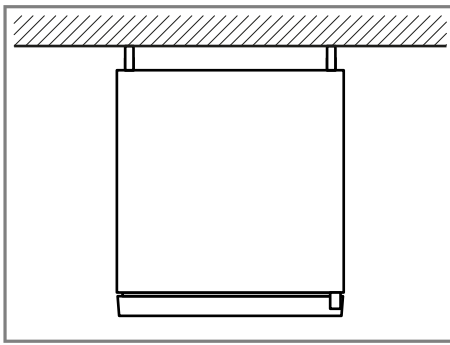
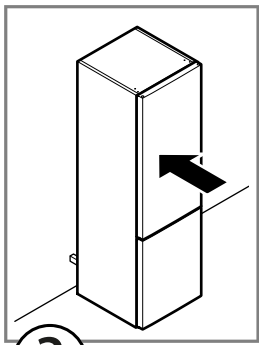
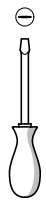


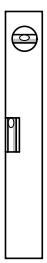


Torx
T 20

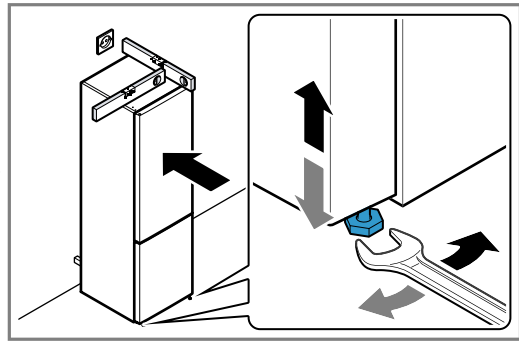
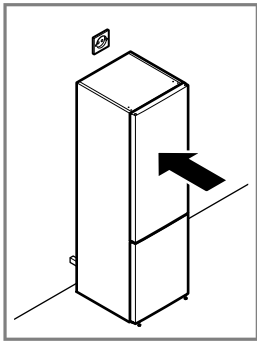
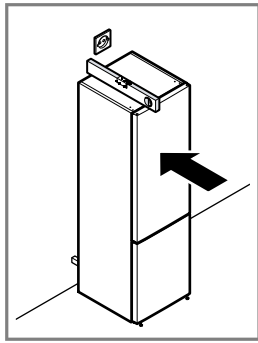
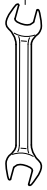








SW22





A series of horizontal lines for writing, starting from a vertical margin line on the left and extending across the page.



A series of horizontal lines for writing, starting from a vertical margin line on the left and extending across the page.



A vertical line on the left side of the page, followed by 20 horizontal lines, creating a ruled writing area for notes.